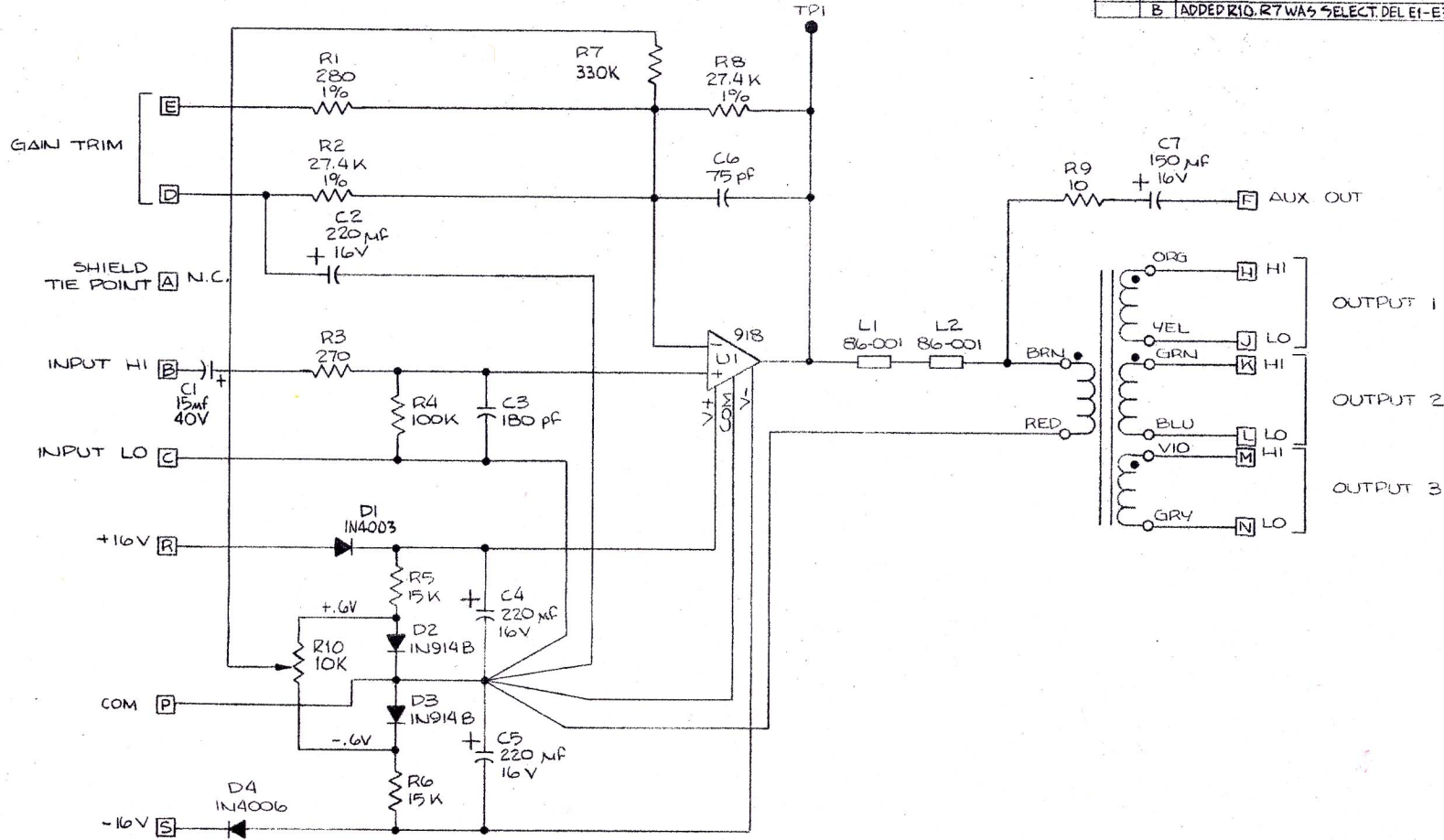


ZONE		REVISIONS		DATE	APPROVED
A	LTR	DESCRIPTION	PR	6-21-78	DP
B		ADDED R10, R7 WAS SELECT, DEL E1-E3	P.T.	9-8-78	ifm



NOTES: (UNLESS OTHERWISE SPECIFIED)

QTY REQD	CODE IDENT	PART OR IDENTIFYING NO.	NOMENCLATURE OR DESCRIPTION
PARTS LIST			
UNLESS OTHERWISE SPECIFIED DIMENSIONS ARE IN INCHES TOLERANCES ARE:		CONTRACT NO.	
FRACTIONS ±	DECIMALS .XX ±	ANGLES ±	
MATERIAL		APPROVALS	DATE
		DRAWN p.r. hermon	6-21-78
		CHECKED DP	6-21-78
FINISH		PACIFIC RECORDERS AND ENGINEERING CORP. LINE AMPLIFIER DA-2	
DA-2			
NEXT ASSY	USED ON	SIZE C	CODE IDENT NO.
			DRAWING NO. 99-24
APPLICATION		SCALE	REV B
DO NOT SCALE DRAWING		SHEET 1 OF 2	